



DCR® III Plus Light Source with EKE lamp, A20870

DCR® III Plus Light Source Models	
Part No.	Description
Standard Light Sources US Power Cord Included	
A20870	with EKE Lamp
Custom	with EJA Lamp
A20870.2	with DDL Lamp
Light Sources with Iris Diaphragm US Power Cord Included	
A20871	with EKE Lamp
Custom	with EJA Lamp
Custom	with DDL Lamp
Standard Light Sources EU Version - No Power Cord Included	
A20875	with EKE Lamp
Custom	with EJA Lamp
A20875.2	with DDL Lamp
Light Source with Iris Diaphragm EU Version - No Power Cord Included	
Custom	with EKE Lamp
Custom	with EJA Lamp
Custom	with DDL Lamp
Expansion Cable	
A20665	Triple Cable with Plug, 12"

EKE, DDL, and EJA lamps and Modulamp® units can be purchased separately.

Options

- Mechanical shutter.
- Infinite setting, twelve blade iris diaphragm version available to reduce intensity while maintaining color temperature.
- Expansion cable.
- Remote light source.

DCR® III Plus Light Source

Includes all the standard features of the DCR® III in addition to a built-in RS232 interface providing intense, cool illumination via remote control.

Benefits

- Remote controllable using built-in integrated RS232 interface.
- Designed to control up to three additional DCR® III units via a built-in 15-pin connector. Expansion cable and DCR® III light sources sold separately.
- Automatically restores user settings on power up.
- Enhanced communications available by embedding error checking codes in command strings.
- Easier programmability with simplified command structure.

Standard Features

- DC-regulated light source limits light fluctuation due to line voltage variation up to $\pm 0.5\%$.
- Current limiting circuitry protects the unit from over heating due to defective and aging bulbs.
- Lamp indicator light (LED) located on front panel changes color from green to red when lamp requires replacement. Lamp status output on RS232 is available.
- Solid state intensity control adjusts from 0 to 100% light output.
- Interchangeable Modulamp® units offer 2 lamp positions to maximize individual lamp efficiencies.
- Soft start "lamp saver" circuitry.
- IR interference filter for cool illumination.
- CSA certified to UL, CE compliant to low voltage and EMC directives.
- Universal input voltage – accepts 90 to 265 VAC, 50/60 Hz.

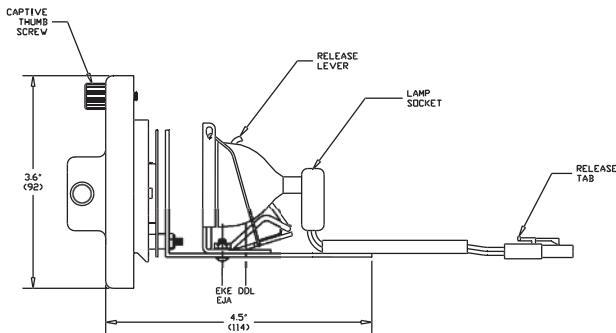
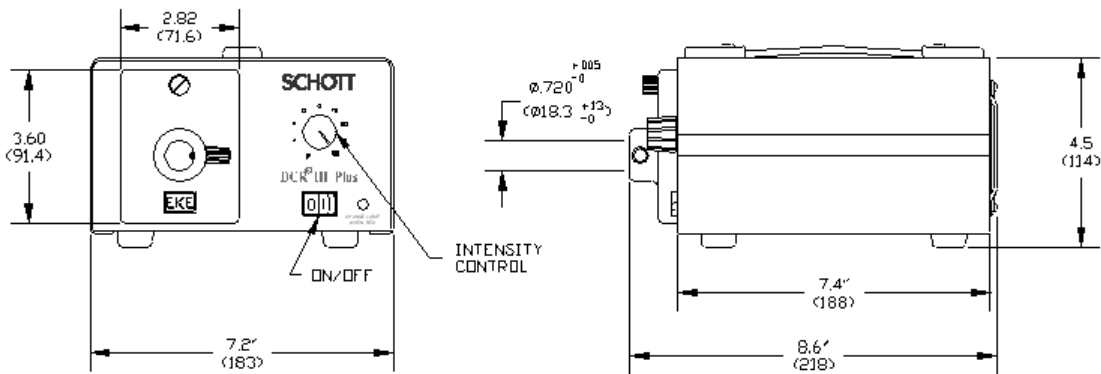
Power Supply Specifications

Rated Power Output	150 Watts
Output Voltage	0.0, 0.5 to 20.5 VDC
Input Voltage Rating, 50/60 Hz.	90 to 265 VAC
Power Factor Correction @ 230 VAC, 50 Hz.	> 0.99, < 4°
Hold-up Time, Nominal AC Input, Full Load	8.3 milliseconds
Line Regulation, Over Entire Input Range	$\pm 0.5\%$
Current Limit Set Point	8.5 Amps
Temperature Range: Operating	0° to 45°C
Storage	-25° to 85°C
Relative Humidity, Non-condensing	5% to 95%

DCR® III Plus Light Source

Dimensions in () are in mm

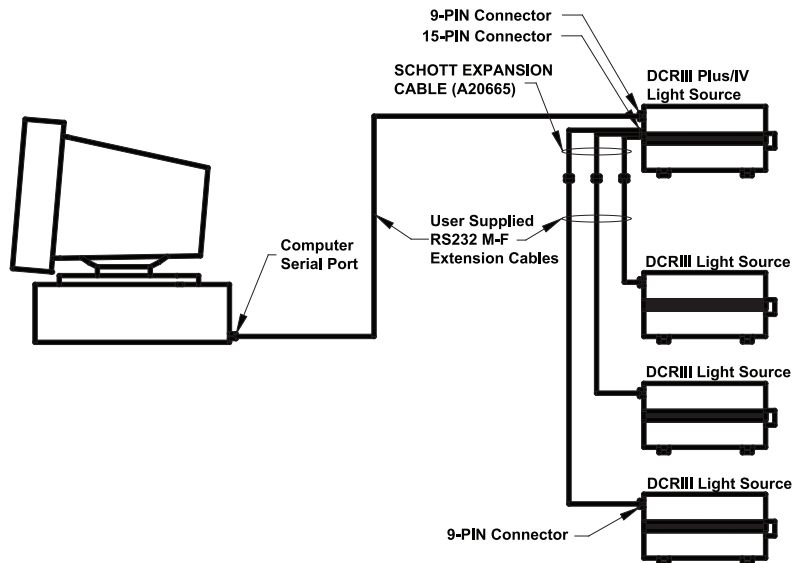
Product improvements may result in specification or feature changes without notice.



Modulamp®... SCHOTT Innovation! Two positions optimize light intensity output, depending on the lamp in use. Entire housing is interchangeable for quick setup.

Choice of Lamps.. SCHOTT Versatility! Three different bulbs (EJA, EKE, DDL) offer light intensity and color temperature options to maximize productivity and accuracy.

Note: If the intensity control knob is turned to the R (Remote) position, lamp intensity control is switched to the RS232 interface. Front panel intensity control will always override the remote intensity control. Remote control of attached DCR IIIs is dependent on each individual unit's setting, which should be in R (Remote) position for remote control.



ISLAND OPTICAL SINGAPORE (S) PTE LTD

No.18 Boon Lay Way
 #08-121 TradeHub 21
 Singapore 139944
 Phone: (65) 6515-9110
 Fax: (65) 6515-9112
 E-mail: islandos@pacific.net.sg
 www.islandos.com.sg

SCHOTT
 glass made of ideas