

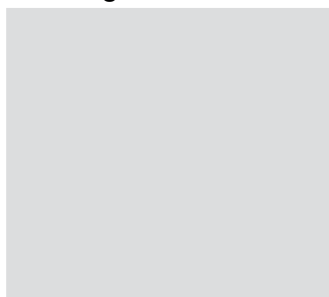


DL7248

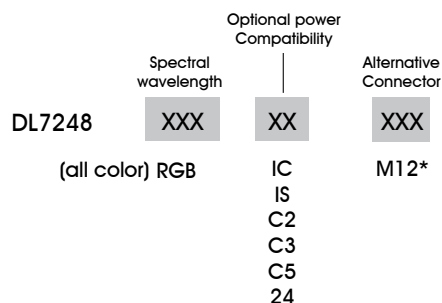
Diffuse Dome Light

- Aii** Available in ONLY the RGB “all color” versions
- Aii** For all other colors, please see the DL106 spec sheet

Ordering Information



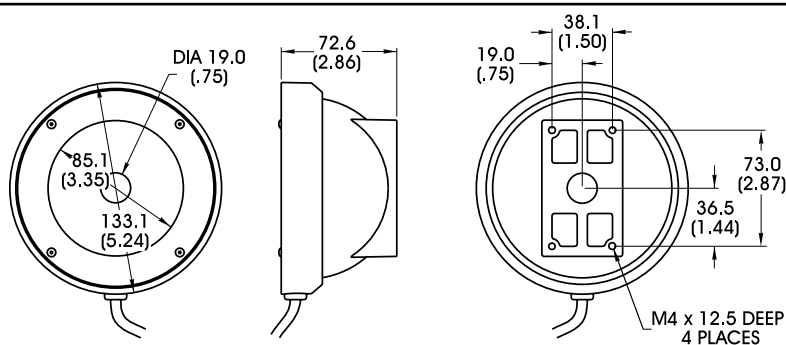
Standard Product Variation:
Shipped Within Two Weeks



IC = iCS (requires 24v power supply)
IS = iSU (requires 24v power supply)
C2 = Ai Connector
C3 = Pulsar 710 Connector
C5 = Pulsar 320 Connector
* Available with IC, IS, and 24v options only

Optimal working distance:
25.4mm (1")
Effective Working Range:
12.7-50mm (.5"-2")

Dimensional Information



[Click for Installation Models & Drawings](#)

DIMENSIONS ARE IN MILLIMETERS (INCHES)

Standard Variation Current Specifications

@24 RGB 110 mA

Standard Product Information

Product Lifetime: 50,000 hours

Operating Temperature: 0-60° C