

# LL6324

## High Intensity Line Light



- Aii** Intense illumination for long working distanced or large area applications.
- Aii** Works great in pairs to create a square area of illumination.

### Ordering Information

Standard Product:  
Shipped Next Day

Standard Product Variation:  
Shipped Within Two Weeks

#### LL6324-WHIIC

Configured with in-line Current Source

	Lens Option ^	Spectral wavelength	Optional power compatibility	Heat Sink	Wash Down Option	Optional Light Conditioning	Alternative Connector
LL6324	X	- XXX	X	X	X	X	XXX
	N	(uv) 395 $\Delta$ $\diamond$	IC	H	W	D $^\circ$ (Diffuser)	M12*
	W	(blue) 470 (green) 530 (amber) 590 (red) 625 (infra-red) 850 $\Delta$ (white) WHI	IS 24 C2 C3 C5			P $^\circ$ (Polarizer)	

$\diamond$  UV LEDs have a considerably shorter half-life than other LEDs (<1000hrs). For this reason Ai recommends these LEDs be used in strobe mode only. For applications requiring continuous 24v power, contact Ai for assistance.

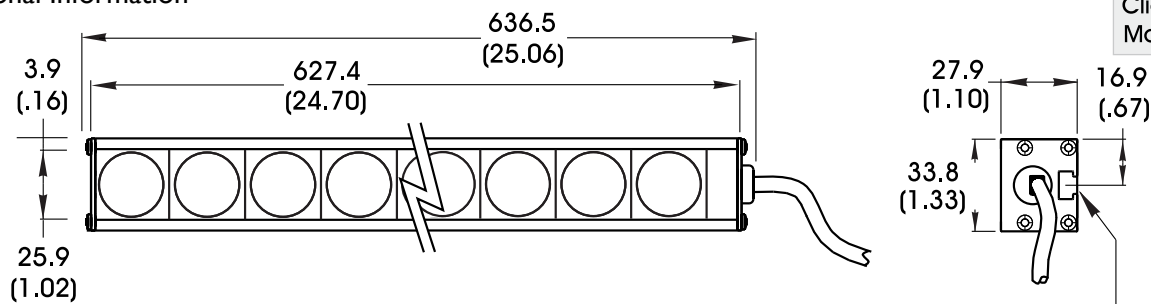
IC = iCS (requires 24v power supply)  
IS = iSU (requires 24v power supply)  
C2 = Ai Connector  
C3 = Pulsar 710 Connector  
C5 = Pulsar 320 Connector  
\* Available with IC, IS, and 24v options only  
 $^\circ$  - Not available with Wash Down Option  
 $\Delta$  Available with Medium lens option only

#### Optimal working distance:

152.4mm (6") - 609.6mm (24")

^ Leave blank for Standard, Medium (M) Lens

### Dimensional Information



[Click for Installation Models & Drawings](#)

M6 NUT CHANNEL FOR MOUNTING  
(HARDWARE INCLUDED)

DIMENSIONS ARE IN MILLIMETERS (INCHES)

### Standard Variation Current Specifications

	uv	blue	green	amber	red	infra-red	white	
@24	1400	1400	1400	1400	1400	1400	1400	mA

### Standard Product Information

Product Lifetime:	50,000 hours
Operating Temperature:	0-60 $^\circ$ C