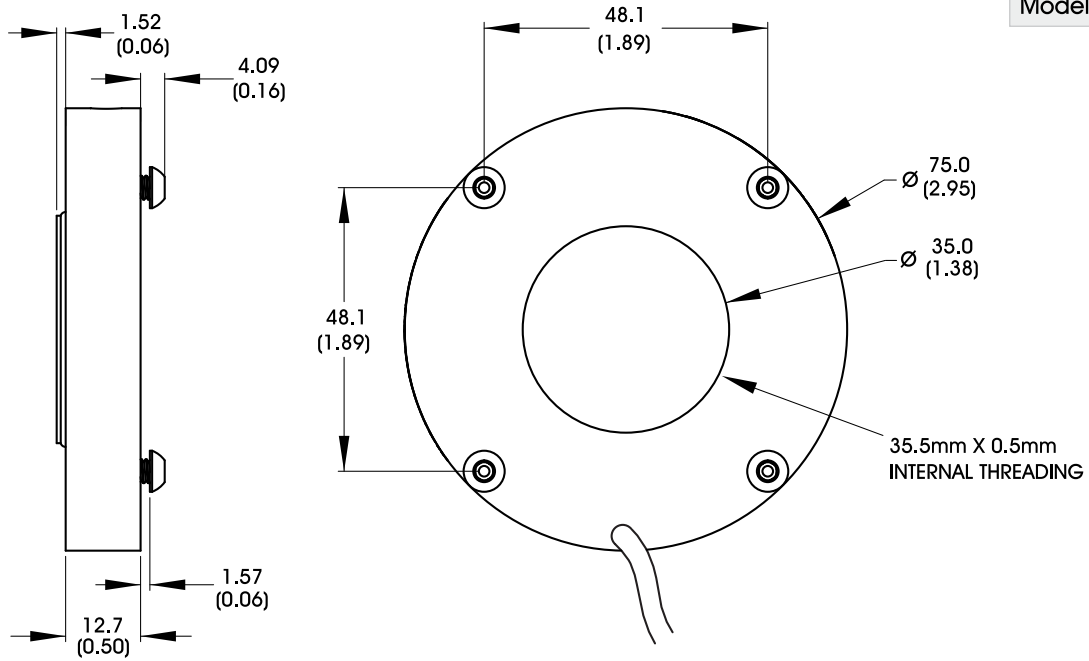




Dimensional Information

[Click for Installation Models & Drawings](#)



Cable Length: 1.5M (59")

DIMENSIONS ARE IN MILLIMETERS (INCHES)

Find installation models at [advancedillumination.com/drawandmodels.html](http://advancedillumination.com/drawandmodels.html)

Current Requirements



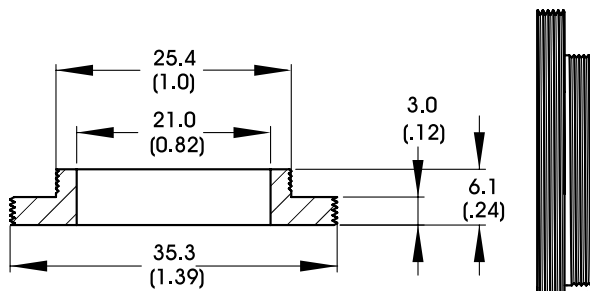
General Specifications

- Weight: 164 g (.36 lb)
- Finish: Black Anodized
- Operating Temperature: 0-60°C
- Meets Specifications: CE, RoHS

Standard Product Information

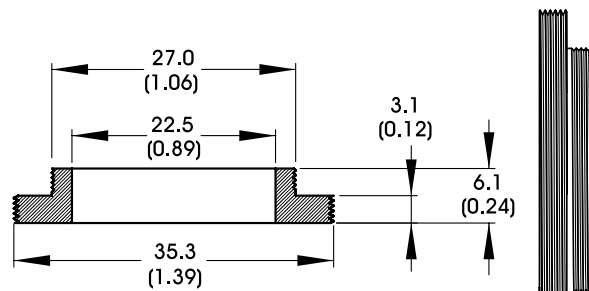
White	Max. Illumination	Irradiance (mW/cm <sup>2</sup> )	Illuminance (Lux)
	Working Distance: 75mm	4.1	15, 850
	Working Distance: 150mm	1.52	5, 750
	Lifetime	50,000 hrs	

Threaded Ring Adapters (optional)



**TA25.5-35.5**

35.5MM X .05MM THREADING  
25.5MM X .05MM THREADING



**TA27-35.5**

35.5MM X .05MM THREADING  
27MM X .05MM THREADING