



RL1660

Apposelite

- Aii** 35mm field of view standard; 45mm and 70mm FOV optional.
- Aii** Solves a wide array of imaging problems where low angle of incidence, radial illumination is required.

Ordering Information

Standard Product:
Shipped Next Day

Standard Product Variation:
Shipped Within Two Weeks

RL1660

P/N: RL1660-66035
Configured for use with Ai
Power Supply

Optimal working distance:
12.7mm (.5")
up to 38mm (1.5")

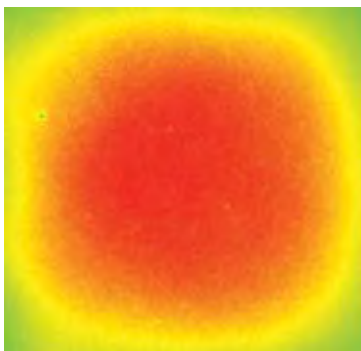
| RL1660 - | Spectral wavelength | Field of view (mm) | Optional power Compatibility | Alternative Connector |
|-------------|---------------------|--------------------|------------------------------|-----------------------|
| XXX | XXX | XX | XX | XXX |
| (UV) | 395 [◇] | 35 | IC | M12* (male) |
| (blue) | 470 [†] | 45 | IS | |
| (green) | 520 [†] | 70 | C2 | |
| (yellow) | 590 | | C3 | |
| (orange) | 625 | | C5 | |
| (red) | 660 | | 12 | |
| (infra-red) | 880 | | 24 | |
| (white) | WHI [†] | | | |

IC = ICS (requires 24v power supply)
IS = ISU (requires 24v power supply)
C2 = Ai Connector
C3 = Pulsar 710 Connector
C5 = Pulsar 320 Connector
* Available with IC, IS, and 24v options only
† Not available in 12v

◇ UV LEDs have a considerably shorter half-life than other LEDs (<1000hrs). For this reason Ai recommends these LEDs be used in strobe mode only. For applications requiring continuous 24v power, contact Ai for assistance.

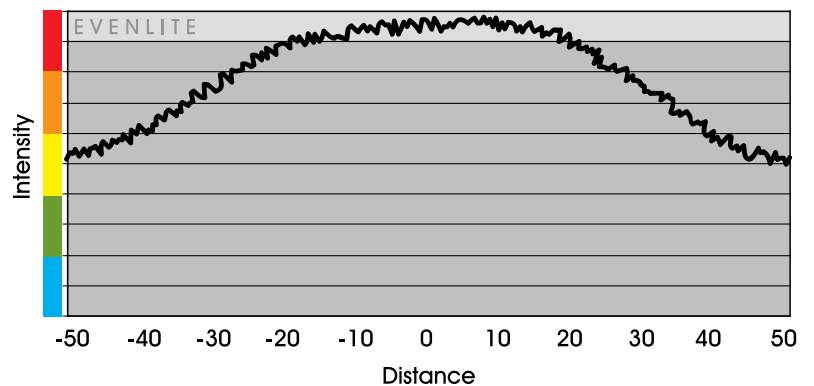
Light Consistency Information

Intensity Distribution



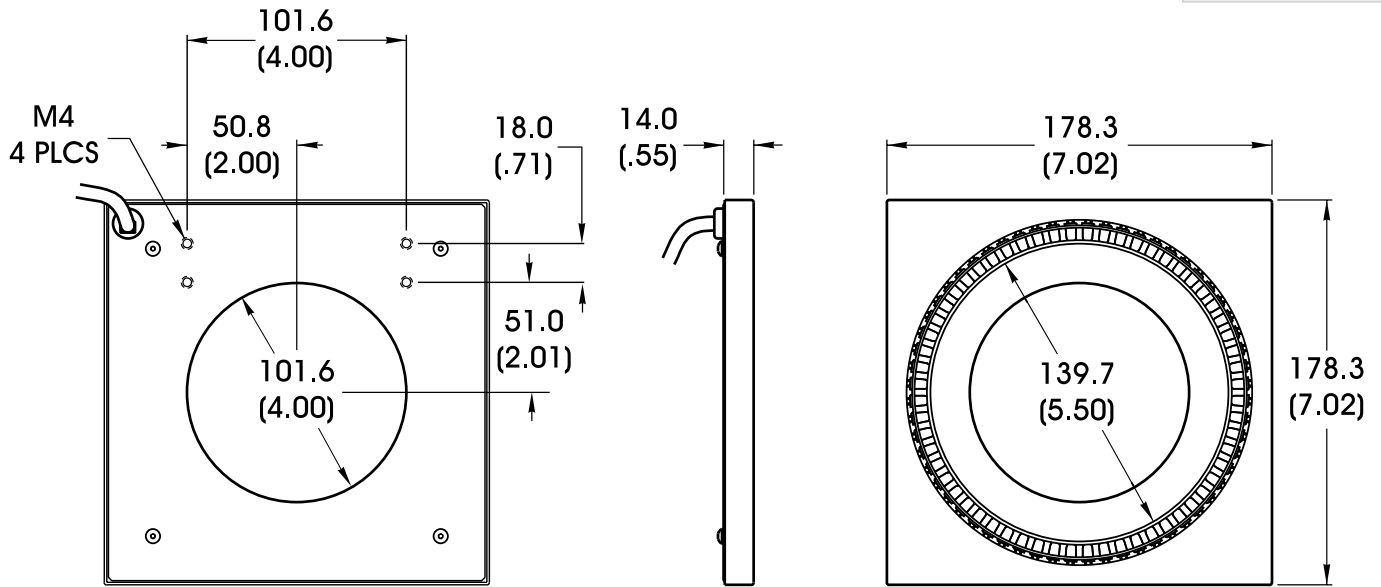
[Taken at 12.7mm (.5")]

Intensity Cross Section



Dimensional Information

[Click for Installation Models & Drawings](#)



DIMENSIONS ARE IN MILLIMETERS (INCHES)

Standard Variation Current Specifications

| | blue | green | yellow | orange | red | infra-red | white | RGB | |
|-----|------|-------|--------|--------|-----|-----------|-------|-----|----|
| @12 | N/A | N/A | 200 | 200 | 360 | 420 | N/A | N/A | mA |
| @24 | 280 | 280 | 120 | 120 | 180 | 240 | 280 | N/A | mA |
| Ai | 240 | 240 | 360 | 360 | 360 | 360 | 240 | N/A | |

General Specifications

| | |
|------------------------|----------------|
| Weight: | 681 g (24 oz) |
| Finish: | Black Anodized |
| Operating Temperature: | 0-60°C |
| Meets Specifications: | CE, RoHS |

Standard Product Information

| Red | Max. Illumination | Irradiance (mW/cm ²) | Illuminance (Lux) |
|-------|--------------------------|----------------------------------|-------------------|
| | Working Distance: 12.7mm | .87 | 830 |
| | Lifetime | 50,000 hrs | |
| White | Max. Illumination | Irradiance (mW/cm ²) | Illuminance (Lux) |
| | Working Distance: 12.7mm | 1.15 | 4,800 |
| | Lifetime | 10,000 hrs | |

Additional Information