

## SL073 Spot Light

- Aii** High current LED for maximum brightness
- Aii** 23mm diameter barrel with M3 mounting holes



### Ordering Information

Standard Product:  
Shipped Next Day

**SL073-WHI24**  
**SL073-62524**

Configured for use with user  
supplied 24v power source

Standard Product Variation:  
Shipped Within Two Weeks

SL073	-	Spectral wavelength XXX	Optional power Compatibility XX	Alternative Connector XXX
		(blue) 470	IC	M12* (male)
		(green) 530	IS	
		(amber) 590	C2	
		(red) 625	C3	
		(infrared) 850	C5 <sup>□</sup>	
		(white) WHI	24	

IC = ICS (requires 24v power supply)

IS = ISU (requires 24v power supply)

C2 = Ai Connector

C3 = Pulsar 710 Connector

C5 = Pulsar 320 Connector

★ Available with IC, IS, and 24v options only

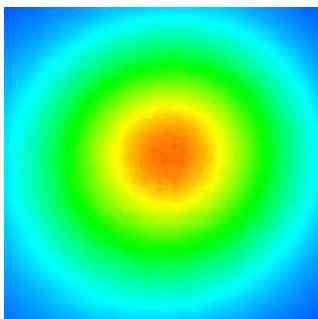
□ Wired to be compatible with 12v and 24v input

**Effective Working Range:**  
75-600mm (3"-24")

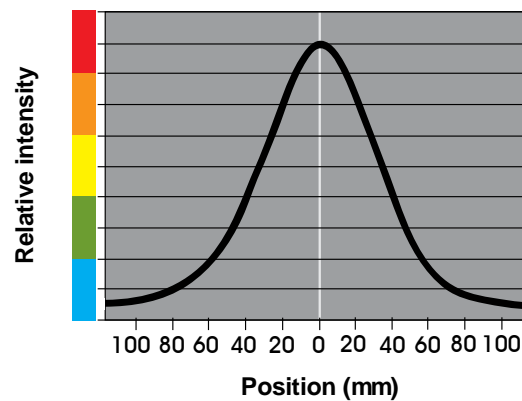
### Light Uniformity Information

(Standard Product: SL073-WHI24-001 @ 300mm)

Intensity Distribution

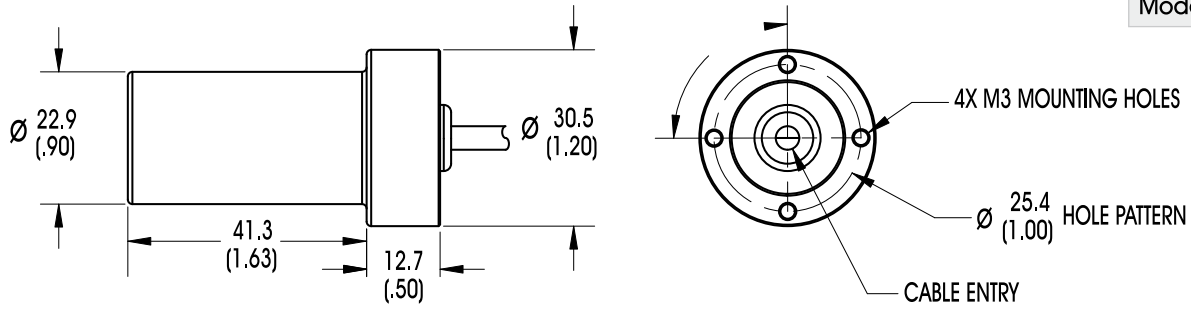


Intensity Cross Section



Dimensional Information

Click for Installation Models & Drawings



Mounting Bracket (Metal)

Find installation models at [advancedillumination.com/drawandmodels.html](http://advancedillumination.com/drawandmodels.html)

DIMENSIONS ARE IN MILLIMETERS (INCHES)

DIMENSIONS ARE IN MILLIMETERS (INCHES)

Standard Variation Current Specifications

	blue	green	yellow	orange	red	infra-red	white	
@24	350	350	N/A	N/A	350	N/A	350	mA
Ai*	300	300	N/A	N/A	300	N/A	300	mA

\*per channel, 1 channel

General Specifications

Weight:	96g (3.4oz)
Finish:	Black Anodized
Operating Temperature:	0-60°C
Meets Specifications:	CE, RoHS

Standard Product Information

Red	Max. Illumination	Irradiance (mW/cm <sup>2</sup> )	Illuminance (Lux)
	Working Distance: 300mm	1.9	N/A
	Working Distance: 600mm	.5	N/A
	Lifetime	50,000 hrs	
White	Max. Illumination	Irradiance (mW/cm <sup>2</sup> )	Illuminance (Lux)
	Working Distance: 300mm	2.4	10,200
	Working Distance: 600mm	.63	2,600
	Lifetime	50,000 hrs	

Additional Information

(Standard Product: SL073-WHI24-001)

