

SL1236

Bright Field Spot Light



Aii High intensity illumination for non-specular objects.

Aii Available in RGB “all color” version.

Ordering Information

Standard Product:
Shipped Next Day

Standard Product Variation:
Shipped Within Two Weeks

SL1236

Configured for use with Ai
Power Supply

◇ UV LEDs have a considerably shorter half-life than other LEDs (<1000hrs). For this reason Ai recommends these LEDs be used in strobe mode only. For applications requiring continuous 24v power, contact Ai for assistance.

SL1236 -	Spectral wavelength	Stand off	Field of view	Optional power Compatibility	Optional Light Conditioning	Alternative Connector
XXX	XXX	XX	XX	X	XXX	
(UV)	395 [◇]	See chart to compute standoff.	XL	IC	D	M12* (male)
(blue)	470 [†]		L	IS	(Diffuser)	
(green)	520 [†]		M	C2	P	
(yellow)	590		S	C3	(Polarizer)	
(orange)	625		XS	C5		
(red)	660			12		
(infra-red)	880			24		
(white)	WHI [†]					
(all Color)	RGB [†] Ⓢ					

IC = ICS (requires 24v power supply)
IS = ISU (requires 24v power supply)
C2 = Ai Connector
C3 = Pulsar 710 Connector
C5 = Pulsar 320 Connector
★ Available with IC, IS, and 24v options only
† Not available in 12v
Ⓢ ICS option not available

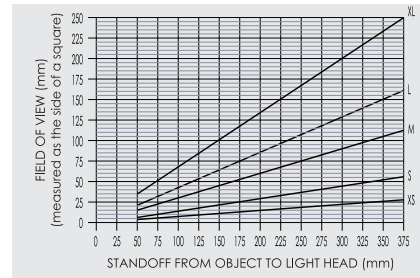
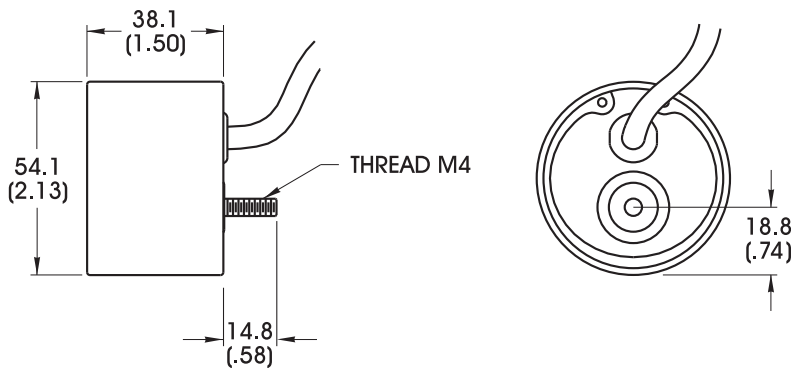


Figure 1
Identify desired FOV and standoff, then specify nearest illuminated area size

Dimensional Information



[Click for Installation Models & Drawings](#)

Cable Length: 1.5 Meter (59") DIMENSIONS ARE IN MILLIMETERS (INCHES)

Standard Variation Current Specifications

	blue	green	yellow	orange	red	infra-red	white	RGB	
@12	N/A	N/A	120	120	240	240	N/A	N/A	mA
@24	120	120	120	120	120	120	120	110	mA

Standard Product Information

Product Lifetime:	50,000 hours
Operating Temperature:	0-60° C