

SL147

High Brightness LED Spot Light



- Aii** Replaces the SL6404
- Aii** High intensity illumination from a long distance.
- Aii** Compact design includes passive thermal management and convenient M4 nut channel for mounting

Ordering Information

Standard Product:
Shipped Next Day

Standard Product Variation:
Shipped Within Two Weeks

SL147-WHIIC

Configured for use with user supplied 24v regulated power supply.

	Lens Option ^	Spectral wavelength	Optional Power Compatibility	Wash Down Option	Optional Light Conditioning	Alternative Connector
SL147	X	XXX	XX	X	X	XXX
	M (UV)	395 ◻	IC	W	D ◦ (Diffuser)	M12* (male)
	W (blue)	470	IS		P ◦ (Polarizer)	
	(green)	530	C2			
	(amber)	590	C3			
	(red)	625	C5			
	infrared	850 ◻				
	(white)	WHI				

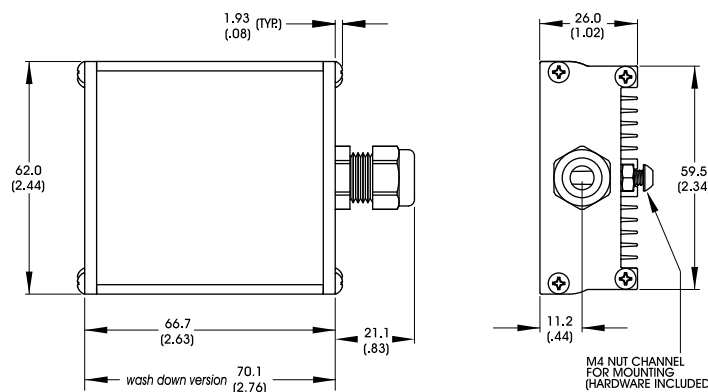
IC = ICS (requires 24v power supply)
 IS = ISU (requires 24v power supply)
 C2 = Ai Connector
 C3 = Pulsar 710 Connector
 C5 = Pulsar 320 Connector
 * Available with IC and IS options only
 ◦ Not available in combination with Wash Down Option
 ◻ Available with Medium lens option only

Optimal working distance:

152.4mm (6") - 609.6mm (24")

^ Leave blank for Standard, Narrow (N) Lens

Dimensional Information



[Click for Installation Models & Drawings](#)

Standard Variation Current Specifications

	UV	blue	green	amber	red	infra-red	white	
@24	350	350	350	350	350	350	350	mA

Standard Product Information

Weight:	122.5 g (4.4 oz)
Finish:	Black Anodized
Operating Temperature:	0-60 C
Meets Specifications:	CE, RoHS
Product Lifetime:	50,000 hours