



Polarizer/Analyzer, A08615

Ringlight Polarizers & Analyzers

The polarizing effect enhances contrast on highly reflective surfaces for Microscopy and Machine Vision Applications.

Standard Features

- The polarizer/analyzer reduces reflection and glare.
- The A08615 and A08632 polarizers were designed to easily snap-fit onto the ringlight. The analyzer is dropped through the top of the ringlight and positioned on top of the polarizer.
- To prevent the polarizer/analyzer from moving due to vibration, a knurled thumb-screw locks the polarizer assembly into position. In addition, it makes the holder easier to adjust. To further prevent vibration, a set-screw stops the polarizer disk from turning within the assembly. These features are found on polarizer / analyzer model numbers A08615 and A08627.

Polarizers & Analyzers

Part No.	Corresponding Ringlights
A08615	A08600, A08620, A08625, A08680, A08600.1
A08627	A08625 & Olympus Adapter, part number A08626
A08632	A08630, A08635
A08652	A08650, A08660, A08670
A08705^	A08700

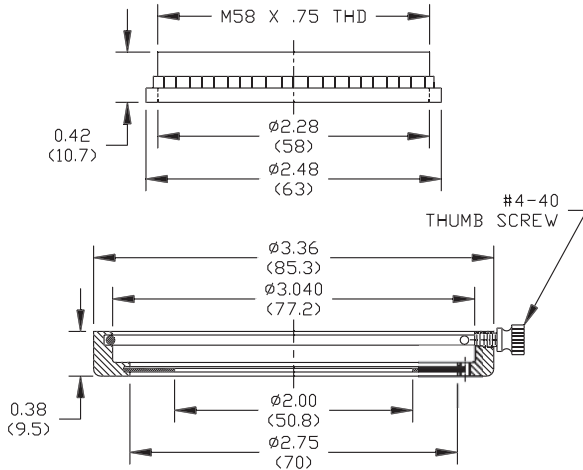
[^]Polarizer ring only. User must supply analyzer.

Ringlight Polarizers & Analyzers

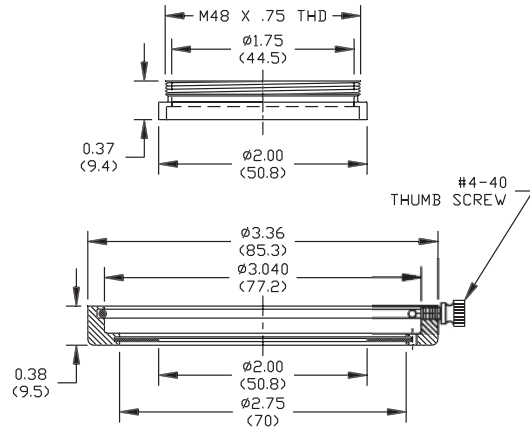
Dimensions in () are in mm

Product improvements may result in specification or feature changes without notice.

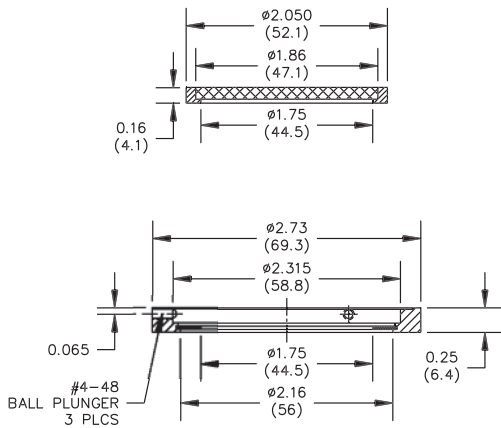
A08615
Polarizer/Analyzer



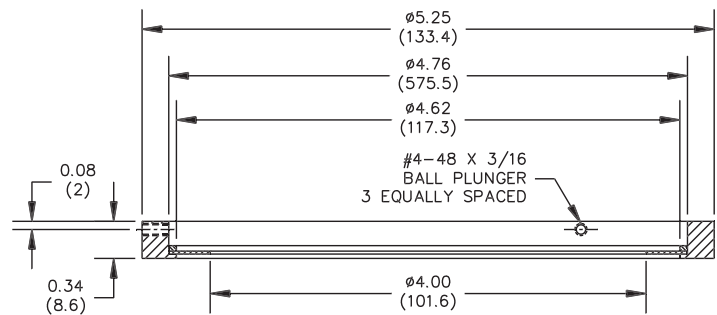
A08627
Polarizer/Analyzer



A08632
Polarizer/Analyzer



A08705
Polarizer/Analyzer



ISLAND OPTICAL SINGAPORE (S) PTE LTD

No.18 Boon Lay Way
 #08-121 TradeHub 21
 Singapore 139944
 Phone: (65) 6515-9110
 Fax: (65) 6515-9112
 E-mail: islandos@pacific.net.sg
 www.islandos.com.sg

SCHOTT
 glass made of ideas