



Reflector Ring, A08616

Ringlight Reflector Rings

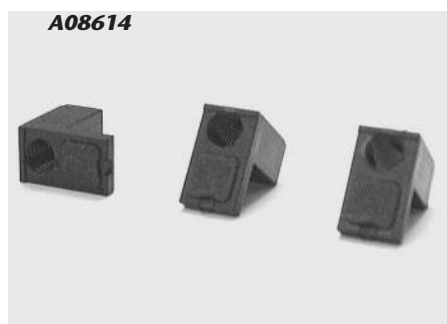
A08616 Reflector Ring Features

Reflector ring creates special lighting effects.

- Illuminates scratches on highly reflective surfaces.
- The A08616 reflector ring fits our Universal and 66 mm series of ringlights. See chart below for part numbers.
- The A08616 reflector ring comes in two separate parts; the retaining ring and the reflector ring. The reflector ring drops inside the retaining ring which snap-fits onto the ringlight.
- The reflector ring is made of mirror polished aluminum. The retaining ring is made of aluminum with a black anodized finish.

Ringlight Reflector Rings

Part No.	Ringlights
A08616	A08600, A08603, A08604, A08620, A08625, A08680, A08600.1



Anti-Slip Ringlight Clamps, A08614

Ringlight Support Apparatus

For accurate positioning when using fiber optic components in industrial and laboratory environments.

Support Apparatus

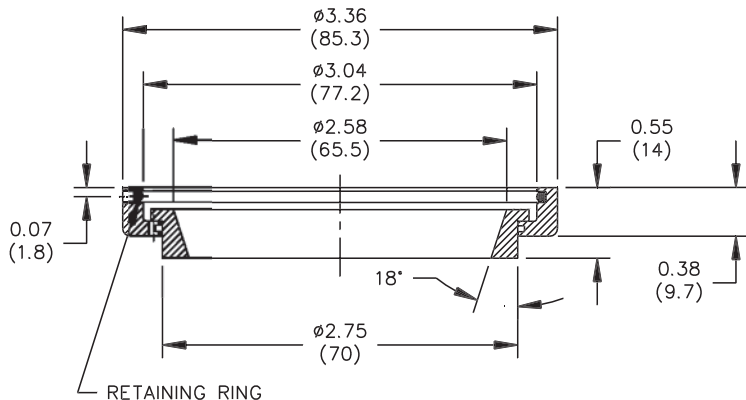
Holders, Clamp Rings, and Anti-slip Pads

Part No.	Description
A08614	Anti-slip Ringlight Clamps for ringlight models A08600, A08620. (3 clamps in package)

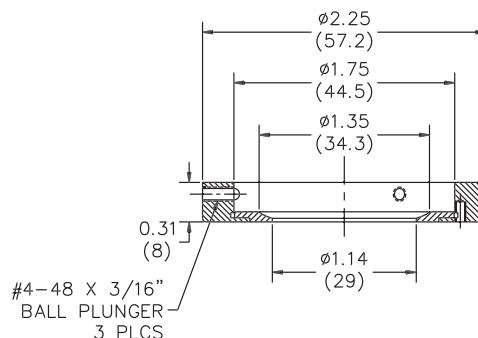
Ringlight Reflector Rings

Dimensions in () are in mm

Product improvements may result in specification or feature changes without notice.



A08616 Ringlight Reflector Ring



A08653 Ringlight Reflector Ring

Ringlight Support Apparatus

Dimensions in () are in mm

Clamp(s) for

A08611 Clamp Ring,
A08600 and A22000
ringlights and
A08614, Set of 3 Clamps
1.8 / 2.4" (47/62)

Clamp(s) for

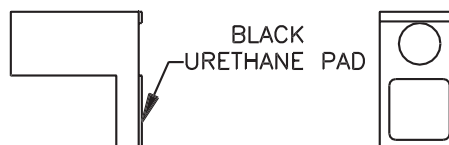
A08612 Clamp Ring,
A08603 ringlight and
A08601, Set of 3 Clamps
1.3 / 1.8" (33/46)

Clamp(s) for

A08613 Clamp Ring,
A08604 ringlight, and
A08602, Set of 3 Clamps
2.4 / 3.2" (62/81)

A08614

Clamps with Anti-slip Pads
(Set of 3)



ISLAND OPTICAL SINGAPORE (S) PTE LTD

No.18 Boon Lay Way
#08-121 TradeHub 21
Singapore 139944
Phone: (65) 6515-9110
Fax: (65) 6515-9112
E-mail: islandos@pacific.net.sg
www.islandos.com.sg

SCHOTT
glass made of ideas